

1D LASER

OPR 3001

Rugged Handheld Laser Scanner



The rugged OPR-3001 is an ergonomic yet light-weight hand-held scanner that scans with confidence, delivering reliability and durability in harsh, dirty or extreme conditions.



Product Features

Fast and Aggressive

OPR 3001 scanners are high performance devices for fast and aggressive reading of poorly printed and damaged barcodes.

Rugged for Demanding Environments

The OPR 3001 is sealed in a rugged housing to IP54 standards that holds up well in environments where water and dust resistance is required. The scanner withstands multiple drops up to 2 meters (6.5 feet) onto concrete and features a trigger guard to prevent accidental scans, yet the ergonomic grip provides the user comfort when handling this lightweight scanner.

Award Winning Design

Based on exceptional performance and quality, the OPR 3000 series has won Japan's 2006 Good Design Award and was also selected to participate in Germany's 2006 iF Product Design Award judging.

Good Read Indicator

A large and bright LED along with an adjustable tone provides a good-read indication especially when operating in low-light or noisy environments.

Cabled

Wireless

Stationary

OEM

OPTICON
always scanning for new ID's

Specifications: OPR 3001 Rugged Handheld Laser Scanner

Electrical specifications

Voltage requirement: 5.0V ± 10 % (Keyboard Wedge and USB),
6 V ± 10 % (RS 232)

Current consumption: max. 130 mA (RS 232),
max. 125 mA (Keyboard Wedge and USB)

Optical specifications

Light source: 650 nm red LED

Scan method: Bi-directional scanning

Scan rate: 100 scans/sec

Reading pitch angle: -35 to 0° / 0 to +35°

Reading skew angle: -50 to 8° / 8 to +50°

Reading tilt angle: ±20°

Curvature: R>15 mm (EAN-8), R>20 mm (EAN-13)

Reading width: depending on reading distance and bar code label resolution

Min. Resolution at PCS 0.9: 0.127 mm / 5 mil

Min. PCS value: 0.45

Depth of field: at PCS 0.9, Code 39

30 - 590 mm / 1.18 - 23.23 inches (res. 1.0),

10 - 360 mm / 0.39 - 14.17 inches (res. 0.5),

10 - 200 mm / 0.39 - 7.87 inches (res. 0.25),

10 - 90 mm / 0.39 - 3.54 inches (res. 0.15),

20 - 60 mm / 0.79 - 2.36 inches (res. 0.127)

Identification

Supported barcode symbologies (1D): EAN/JAN/UPC incl. add on, Chinese Post, Codabar/NW-7 incl. ABC and CX, Code 11, Code 39, Code 93, Code 128, IATA, Industrial 2of5, Interleaved 2of5, ISBN-ISMN-ISSN, Korean Postal Authority code, Matrix 2of5, MSI/Plessey-UK/Plessey, RSS, Composite Codes, S-Code, Telepen, Tri-Optic

Supported 2D code symbologies: MicroPDF417, PDF417

Communication

Available interfaces: RS232, Keyboard Wedge, USB(HID)

Functionality

Trigger mode: manual, auto trigger

Environmental specifications

Temperature in operation: from -10 to +60 °C / from +14 to 140°F

Temperature in storage: from -30 to +70 °C / from -22 to 158°F

Humidity in operation: 5 - 90 % (non-condensing)

Humidity in storage: 5 - 90 % (non-condensing)

Ambient fluorescent light immunity: 4,000 lx max

Ambient direct sun light immunity: 4,000 lx max

Ambient incandescent light immunity: 80,000 lx max

Shock drop test: 2 m / 6.5 ft drop onto concrete surface

Shock vibration test: 10 - 100 Hz with 2G for 30 minutes

Protection against dust and moisture, According to IEC529: IP 54

Physical specifications

Dimensions: 68 x 150 x 155 mm / 2.68 x 5.91 x 6.10 inches

Case material: ABS

Weight body: Ca. 230 g / 0.51 pounds / 8.1 oz

Connector RS232: DB9 F with external power

Connector Keyboard Wedge: MiniDIN6

Connector USB: USB-A

Regulatory

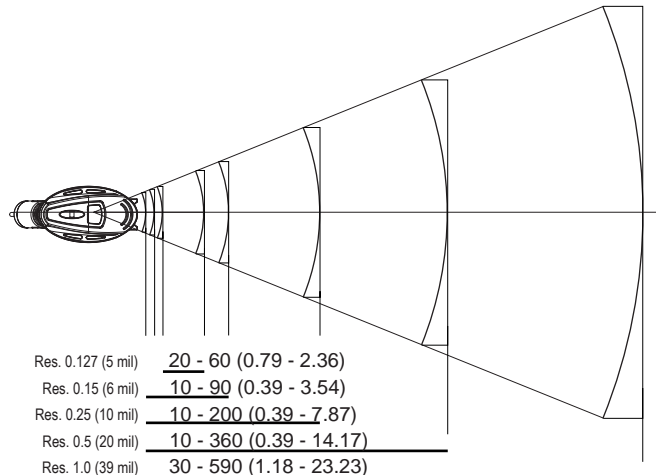
Laser safety class: JIS-C-6802 Class 1, IEC 60825-1 Class 1, FDA CDRH Class I

Product compliance: CE, FCC, RoHS

Depth of field

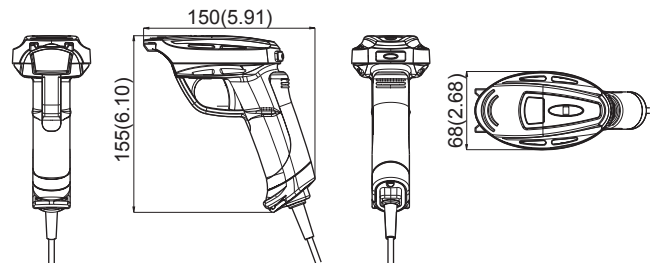
The reading width is a calculated value and is for guidance only.

Unit: mm (inches)



Dimensions

Unit: mm (inches)



Accessories

Sold separately

Power supply: 6V (External power for RS232)